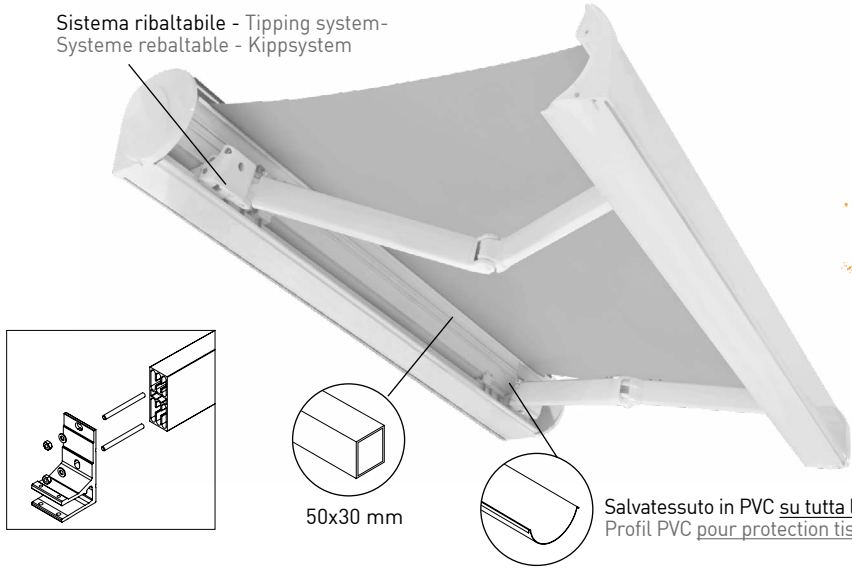


KE ASTRA B39

per aumenti TESSUTO e RAL vedi pagine 106/115 - For fabric and RAL increases see at pages 106/115
 Augmentation TISSU et RAL voir pages 106/115 - Für Aufpreise für RAL und Stoffe S. seiten 106/115



Sistema ribaltabile - Tipping system - Systeme rebalttable - Kippsystem



**POLIESTERE
POLYESTER**
solo + 4%
only + 4%

Installazione a parete
Wall installation

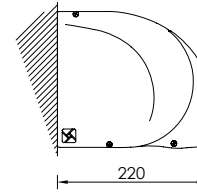


Diagramma di copertura a parete - Wall covering diagram

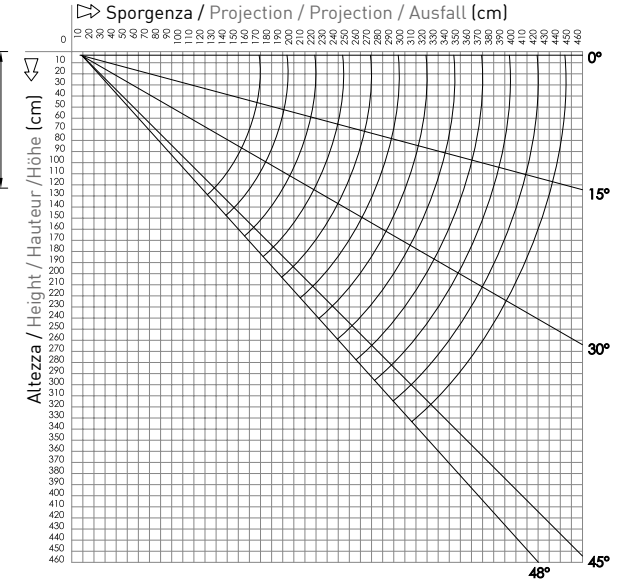
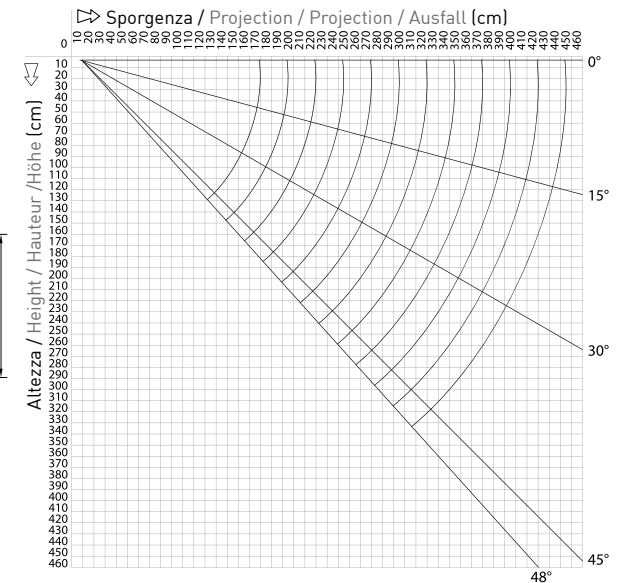


Diagramma di copertura a soffitto - Ceiling covering diagram



- Bracci / Arms / Bras / Arme
- ▶ Convogliatore / Conveyor / Convoyeur / Satz Konvoyer
- Staffa barra quadra / Square bar bracket / Support barre carree / Straggepreste Konsole

| cm | | 400 | 500 | 600 | 700 | 800 | 900 | 1000 | 1100 | 1200 |
|-----|---|-----|-----|-----|-----|-----|-----|------|------|------|
| 160 | ■ | 2 | 2 | 2 | 4 | 4 | 4 | 4 | 4 | 6 |
| | ▼ | 3 | 3 | 3 | 4 | 4 | 5 | 5 | 6 | 6 |
| | ■ | 5 | 5 | 6 | 8 | 8 | 8 | 11 | 11 | 12 |
| 185 | ■ | 2 | 2 | 2 | 4 | 4 | 4 | 4 | 4 | 6 |
| | ▼ | 3 | 3 | 3 | 4 | 4 | 5 | 5 | 6 | 6 |
| | ■ | 5 | 5 | 6 | 8 | 8 | 8 | 11 | 11 | 12 |
| 210 | ■ | 2 | 2 | 2 | 4 | 4 | 4 | 4 | 4 | 6 |
| | ▼ | 3 | 3 | 3 | 4 | 4 | 5 | 5 | 6 | 6 |
| | ■ | 5 | 5 | 6 | 8 | 8 | 8 | 11 | 11 | 12 |
| 235 | ■ | 2 | 2 | 2 | 4 | 4 | 4 | 4 | 4 | 6 |
| | ▼ | 3 | 3 | 3 | 4 | 4 | 5 | 5 | 6 | 6 |
| | ■ | 5 | 5 | 6 | 8 | 8 | 8 | 11 | 11 | 12 |
| 260 | ■ | 2 | 2 | 2 | 4 | 4 | 4 | 4 | 6 | 6 |
| | ▼ | 3 | 3 | 3 | 4 | 4 | 5 | 5 | 6 | 6 |
| | ■ | 5 | 5 | 6 | 8 | 8 | 8 | 11 | 11 | 12 |
| 310 | ■ | 2 | 2 | 2 | 3 | 4 | 4 | 4 | 4 | 6 |
| | ▼ | 3 | 3 | 3 | 4 | 4 | 5 | 5 | 6 | 6 |
| | ■ | 5 | 5 | 6 | 8 | 8 | 8 | 11 | 11 | 12 |
| 360 | ■ | - | 2 | 2 | 3 | 3 | 4 | 4 | 4 | 4 |
| | ▼ | - | 3 | 3 | 4 | 4 | 5 | 5 | 6 | 6 |
| | ■ | - | 5 | 6 | 8 | 8 | 8 | 11 | 11 | 12 |
| 410 | ■ | - | 2 | 2 | 2 | 3 | 3 | 4 | 4 | 4 |
| | ▼ | - | 3 | 3 | 4 | 4 | 5 | 5 | 6 | 6 |
| | ■ | - | 5 | 6 | 8 | 8 | 8 | 11 | 11 | 12 |
| 435 | ■ | - | - | 2 | 2 | 3 | 3 | 3 | 4 | 4 |
| | ▼ | - | - | 3 | 4 | 4 | 5 | 5 | 6 | 6 |
| | ■ | - | - | 6 | 7 | 8 | 8 | 8 | 11 | 12 |

! Tessuto saldato di serie (eccetto Liberty, Panama, Resinati)
 Fabric welded as standard (except Liberty, Panama, waterproof fabrics)
 Toile soudée (sauf Liberty, Panama, Imperméables)
 Stoff serienmäßig geschweißt (außer Liberty, Panama, wasserdichte Stoffe)

Ingombri minimi della tenda finita - 1 coppia bracci
 Minimum awning encumbrances - 1 pair arms
 Encombrentes minimum du store fini - 1 pair bras
 Minimaler Ausmaß der fertigen Markise - 1 Paar Arme

| | cm | |
|--------------------|-----|-----|
| BRACCIO BALTEUS | 160 | 222 |
| BALTEUS ARM | 185 | 247 |
| BRAS BALTEUS | 210 | 272 |
| BALTEUS GELENKARME | 235 | 297 |
| | 260 | 322 |
| | 310 | 372 |
| BRACCIO GIANT | 360 | 431 |
| STANDARD GIANT | 410 | 481 |
| BRAS GIANT | 435 | 506 |
| GIANT GELENKARME | | |

Installazione a soffitto
Ceiling installation

