



Tenda con cassonetto da 130 disponibile in 2 varianti (tondo/quadro) dotata di guida cavetto inox \varnothing 4 mm.

Awning with 130 cassette and cable guide \varnothing 4 mm in 2 versions (round/square).

Store avec coffre 130 et guide cable \varnothing 4mm in 2 versions (rond/carré).

Markise mit 130 Kassette und Kabelführung \varnothing 4 mm in 2 Versionen (Eckig/rund).

MODULO SINGOLO - SINGLE MODULE



↔ 500

⬆ 500



Quadro - Square
Carré - Vierkantige

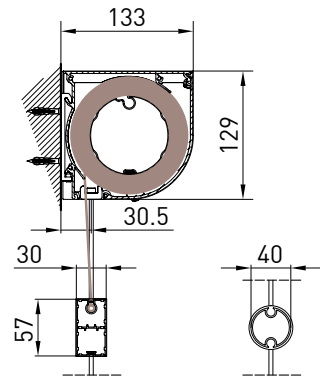


Tondo - Round
Rond - Runde

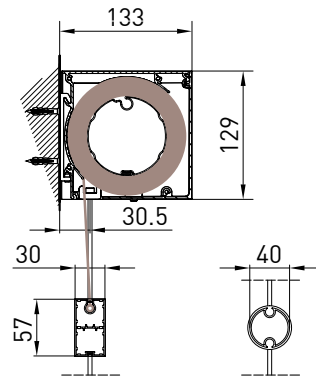


Montaggio a Parete / Wall installation / Installation au mur / Wandmontage

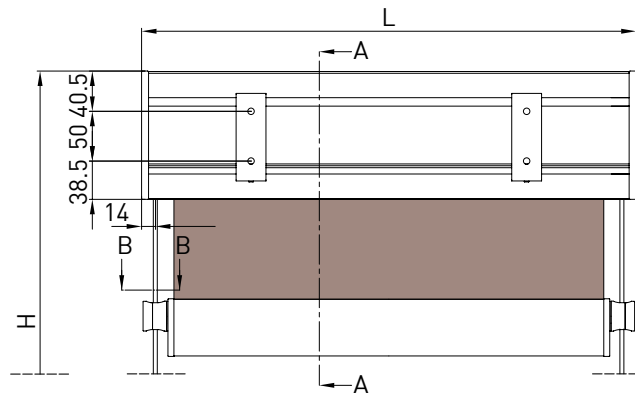
TONDO - ROUND
A-A



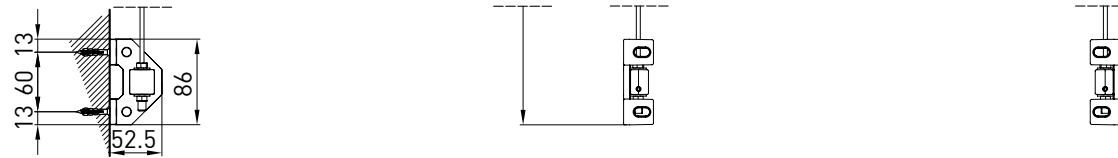
QUADRO - SQUARE
A-A



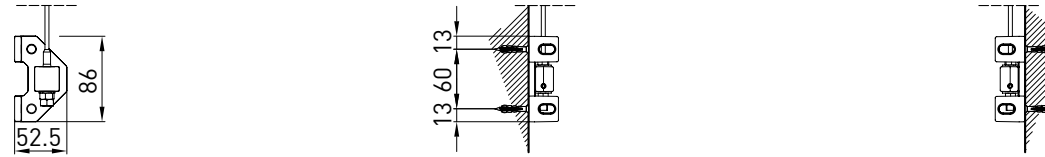
vista posteriore - rear view



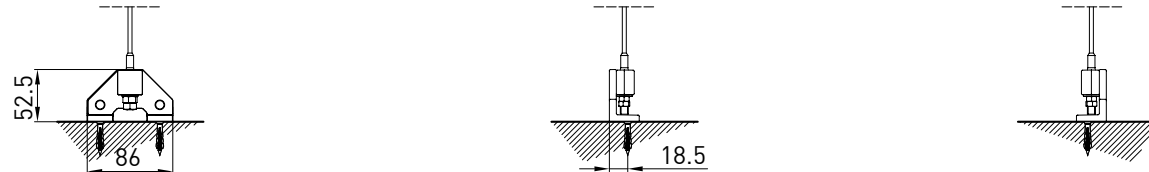
Supporto a parete - Wall support - Support au mur - Wandkonsole



Supporto a nicchia - Niche support - Support tableau - Nischenkonsole



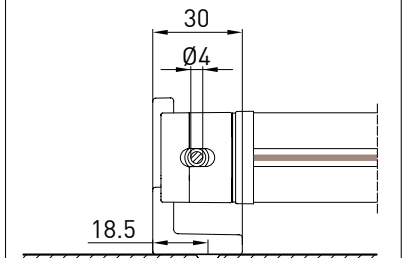
Piedino a pavimento - Floor foot - Pied sol - Bodenbefestigung



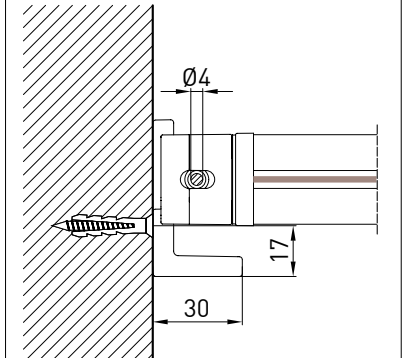
vista dall'alto - top view



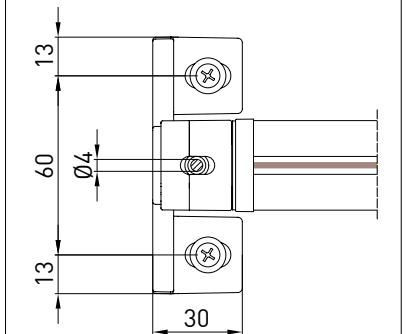
supporto a parete - wall bracket
B-B



supporto a nicchia - niche bracket
B-B



piedino a pavimento - floor bracket
B-B



Montaggio a Soffitto / Ceiling installation / Installation au plafond / Deckenmontage

